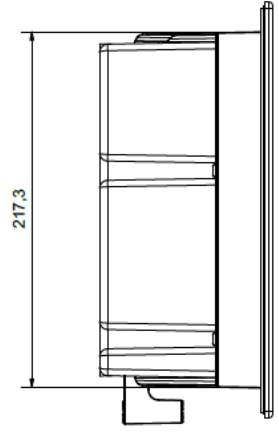
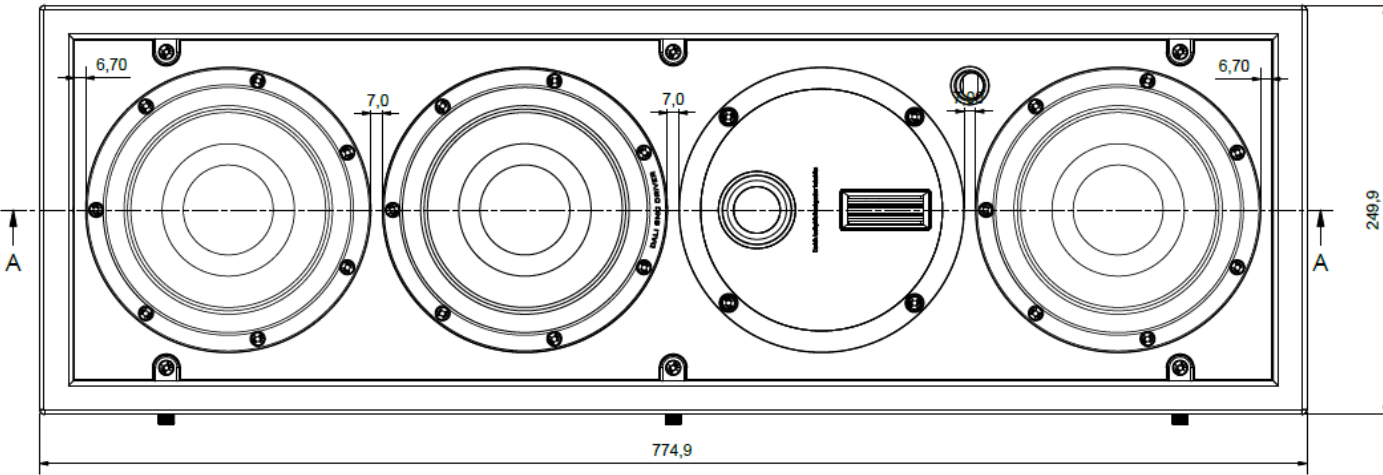
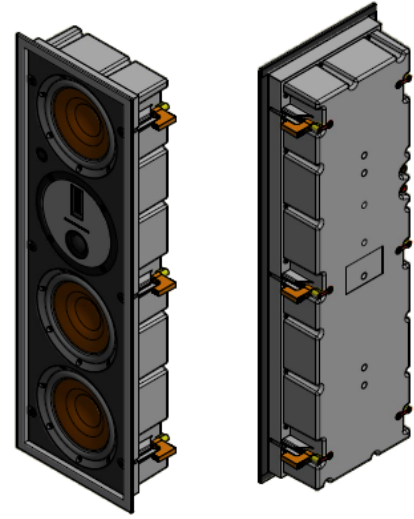
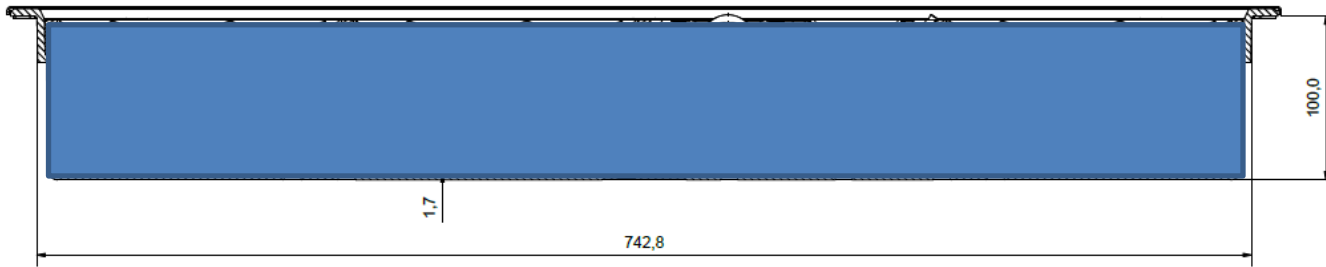


A-A (1:2)



Drawing must be complemented by STEP file.

|           |            |                |     |         |              |       |        |        |       |        |       |       |        |
|-----------|------------|----------------|-----|---------|--------------|-------|--------|--------|-------|--------|-------|-------|--------|
| Material: | ISO        | From mm:       | 0.5 | 3       | 6            | 30    | 120    | 400    | 1000  |        |       |       |        |
| Drawn by: | Created:   | To mm (incl.): | 3   | 6       | 30           | 120   | 400    | 1000   | 2000  |        |       |       |        |
| Jan       | 20-11-2018 | Scale:         | 1:2 | General | DIN/ISO 2768 | Fine  | ± 0.06 | ± 0.05 | ± 0.1 | ± 0.15 | ± 0.2 | ± 0.3 | ± 0.5  |
| Part no.: |            |                |     | Medium  | ± 0.1        | ± 0.1 | ± 0.2  | ± 0.3  | ± 0.5 | ± 0.8  | ± 1.2 | ± 2.0 | ± 3.0  |
|           |            |                |     | Rough   | ± 0.2        | ± 0.3 | ± 0.5  | ± 0.8  | ± 1.2 | ± 2.0  | ± 3.0 | ± 5.0 | ± 10.0 |

33 PHANTOM IW M-375

33 PHANTOM IW M-375

Revision:

2

Sheet:

1/4

