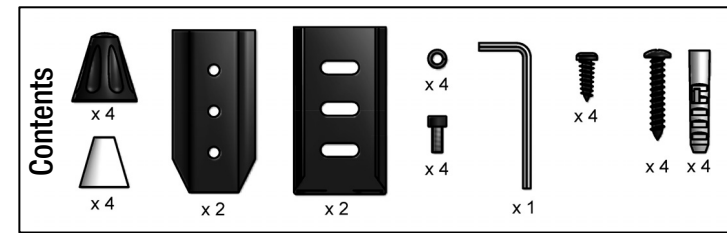


# MOUNTING INSTRUCTION

## DALI WALL BRACKET UNIVERSAL SET



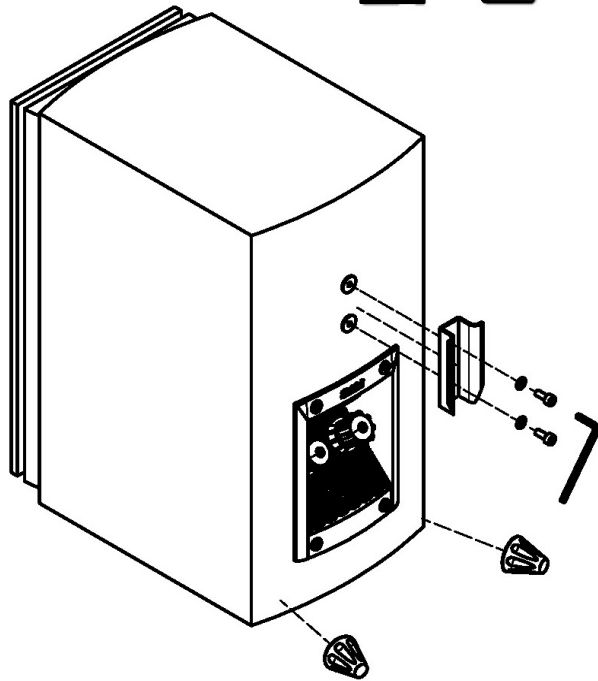
### SPEAKER MOUNTING

Max. 5 kg./11 lbs per bracket

For heavy speakers above 5 kilograms use 2 brackets for each speaker.

#### DALI MENTOR 1

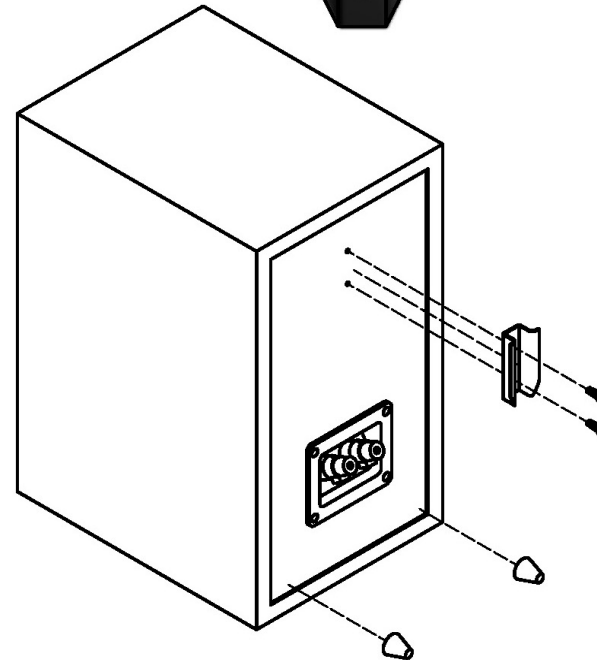
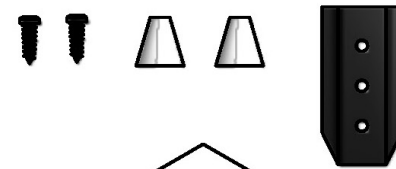
Hex / Allen key 3mm



Always use rubber pads for stable wall mounting.

#### Speaker with flat rearside

Torx No. T 20



Always use rubber pads for stable wall mounting.

### WALL MOUNTING

Ensure that your wall is able to carry the weight of the speaker - this may vary from wall to wall depending on the wall construction.

Philips No. PH 2

