
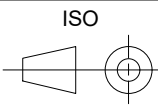
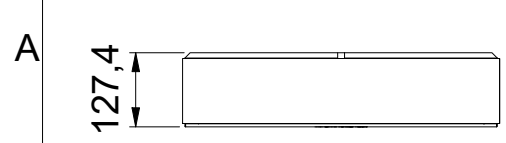
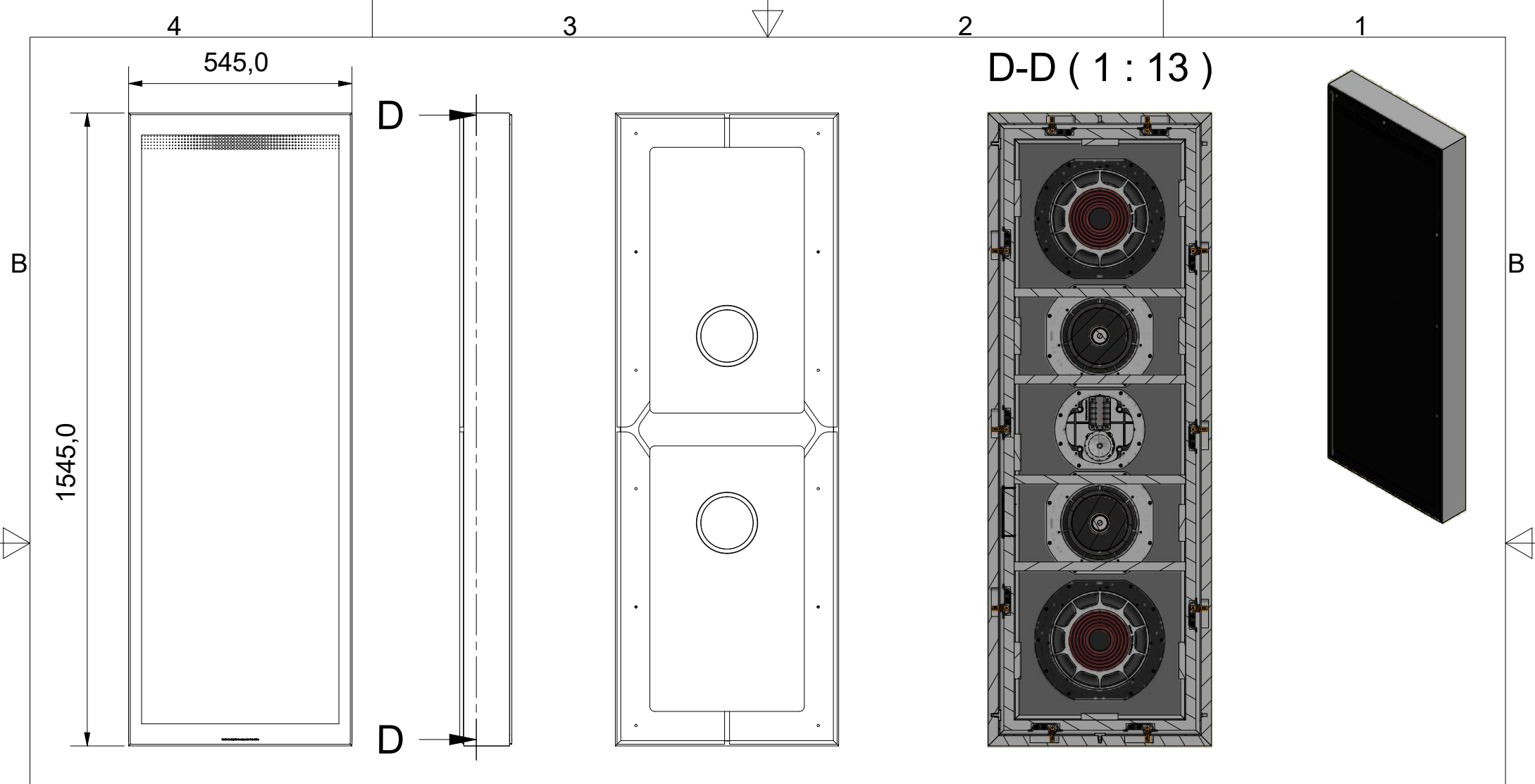


Drawing must be complemented by STEP file.

Material:			ISO		General tolerances: DS/ISO 2768										 DALI A/S Dali Allé 1 DK-9610 Nørager Denmark Tel. +45 9672 1155 Fax +45 9855 1940			
Drawn by: cbo			Created: 21-12-2018		Scale: 1 : 13				From mm: To mm (incl.):		0,5 3	3 6	6 30	30 120		120 400	400 1000	1000 2000
									Fine ±		0,05	0,05	0,1	0,15		0,2	0,3	0,5
									Medium ±		0,1	0,1	0,2	0,3		0,5	0,8	1,2
									Rough ±		0,2	0,3	0,5	0,8	1,2	2,0	3,0	
Part no.:										Revision:		Sheet:						
259820 DALI PHANTOM OW FRAME S-280 WHITE										A		1/3						
Drawing no.:										27-05-2019		Format:						
259820 DALI PHANTOM OW FRAME S-280 WHITE												A4						



Drawing must be complemented by STEP file.

Material:			ISO 	General tolerances: DS/ISO 2768	From mm:	0,5	3	6	30	120	400	1000
Drawn by:	Created:	Scale:			To mm (incl.):	3	6	30	120	400	1000	2000
cbo	21-12-2018	1 : 13			Fine	± 0,05	0,05	0,1	0,15	0,2	0,3	0,5
					Medium	± 0,1	0,1	0,2	0,3	0,5	0,8	1,2
					Rough	± 0,2	0,3	0,5	0,8	1,2	2,0	3,0

Part no.:
259820 DALI PHANTOM OW FRAME S-280 WHITE

Drawing no.:
259820 DALI PHANTOM OW FRAME S-280 WHITE

Revision:
A
27-05-2019

Sheet:
2/3

Format:
A4

DALI A/S
Dali Allé 1
DK-9610 Nørager
Denmark
Tel. +45 9672 1155
Fax +45 9855 1940


REV	DATE	ENGINEER	APPROVED	DESCRIPTION	ECO
A	27-05-2019	CBO	FJ	RELEASED FOR PRODUCTION	

B

B

A

A

Title: Revision sheet	Sheet: 3 / 3	 DALI A/S <small>Dali Allé 1 DK-9610 Nørager, Denmark Tel. +45 9672 1155 Fax +45 9855 1940</small>
Drawing no.: 259820 DALI PHANTOM OW FRAME S-280 WHITE	Format: A4	

4

3

2

1