

Item No. 95037-0-0E

DALI FAZON® SUB 1 MANUAL



IN ADMIRATION OF MUSIC



IN ADMIRATION OF MUSIC

TABLE 1

FAZON SUB 1	
Subwoofer / Subwoofer / Subwoofer	1 pc
Power Cord / Anschlussleitung / Strømkabel	1 pc
Owner's manual / Benutzerhandbuch / Brugermanual	1 pc

FIGURE 1

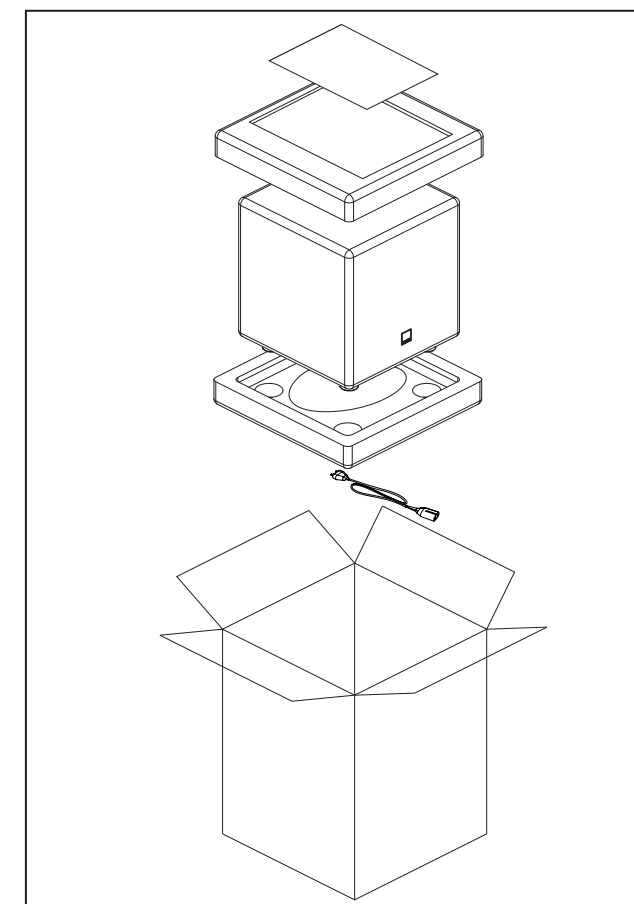


FIGURE 2

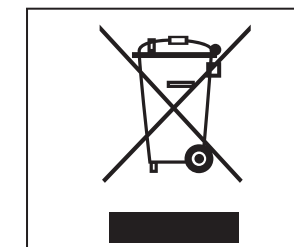


FIGURE 3

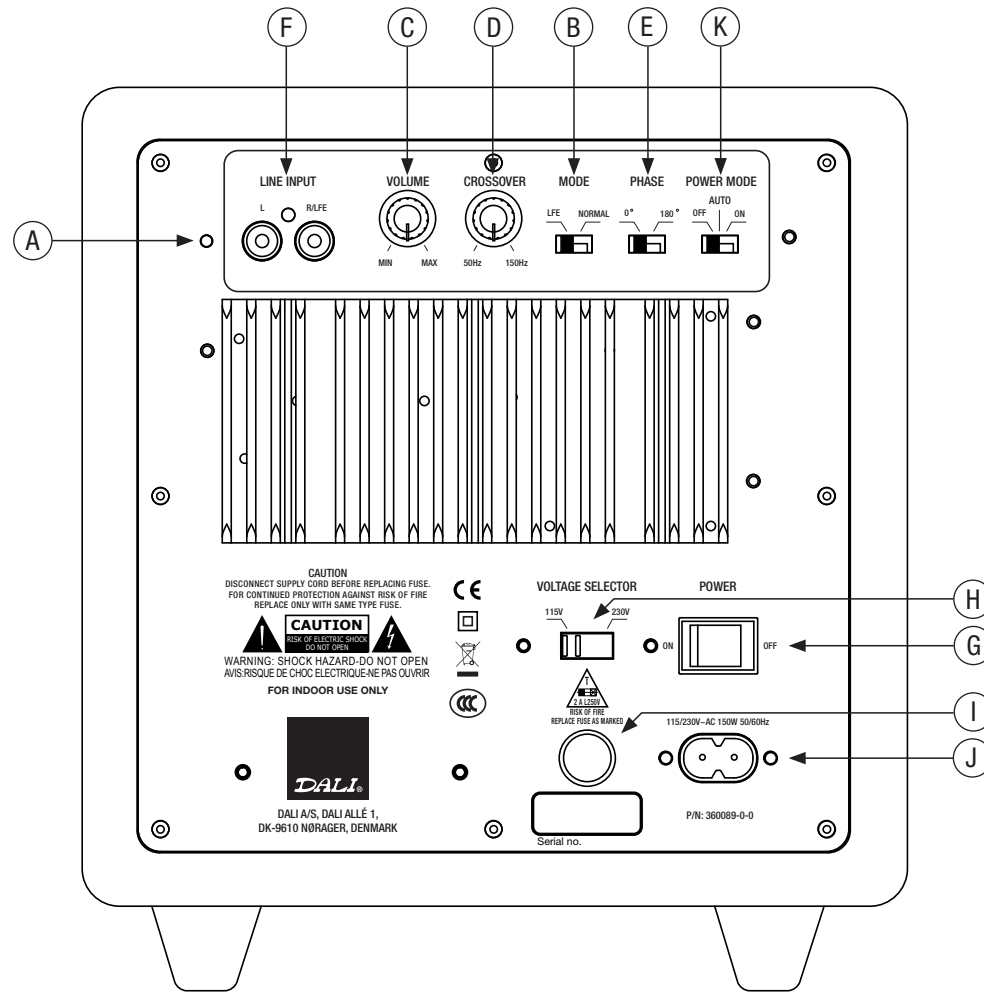


TABLE 2 - DALI FAZON SUB 1 TECHNICAL SPECIFICATIONS

FAZON SUB 1	
Frequency Range +/- 3 dB [Hz]	37-200
Nominal Impedance [ohms]	22k
Maximum SPL [dB]	103
Max Amplifier Power Output [watts RMS]	150
Crossover Frequencies [Hz]	50-150
Low Frequency Driver(s) [inches]	6½"
Enclosure Type	Closed
Continuous IEC Power Output [watts RMS]	90
Standby Power Consumption [watts]	1.0
Max. Power Consumption [watts]	195
Idle Power Consumption [watts]	11
Connection Input(s)	Stereo line level, mono line level LFE (RCA connectors)
Recommended Placement	Floor near wall/corner
Dimensions (H x W x D) [mm]	255 x 230 x 255
Dimensions (H x W x D) [inches]	10.0 x 9.1 x 10.0
Weight [kg/lb]	7.5 / 16.6
Finishes	Black and white high gloss lacquer
Magnetic Shielding	No
Accessories	Power cord

All technical specifications are subject to change without notice.

CONTENTS / INHALT / INDHOLD

ENGLISH 6

DEUTSCH 14

DANSK 22

CAUTION

RISK OF ELECTRIC SHOCK DO NOT OPEN.
TO REDUCE THE RISK OF ELECTRIC SHOCK,
DO NOT REMOVE THE BACK PANEL.
NO USER-SERVICEABLE PARTS INSIDE.
REFER SERVICING TO QUALIFIED PERSONNEL.



The lightning flash within an equilateral triangle is intended to alert you to the presence of non insulated "dangerous voltage" within the product's enclosure that may be of sufficient magnitude to constitute an electric shock to persons.



The exclamation point within an equilateral triangle is intended to alert you to the presence of important operating and maintenance (servicing) instructions in the literature accompanying the appliance.

-
- 1 Read instructions - all the safety and operating instructions should be read before the appliance is operated.
 - 2 Retain instructions - the safety and operating instructions should be retained for future reference.
 - 3 Heed warnings - all warnings on the appliance and in the operating instructions should be adhered to.
 - 4 Follow instructions - all operating and use instructions should be followed.
 - 5 Water and moisture - the appliance should not be used near water - for example, near a bathtub, washbowl, kitchen sink, laundry tub, in a wet basement, or near a swimming pool and the like.
 - 6 Carts and stands - the appliance should be used only with a cart or stand if recommended by the manufacturer.
 - 7 Wall or ceiling mounting - the appliance should be mounted to a wall or ceiling only as recommended by the manufacturer.
 - 8 Ventilation - the appliance should be situated so that its location or position does not interfere with proper ventilation. For example, the appliance should not be situated on a bed, sofa, rug, or similar surface that may block the ventilation openings; or placed in a built-in installation, such as a bookcase or cabinet, that may impede the flow of air through the ventilation openings.
 - 9 Heat - the appliance should be situated away from heat sources such as radiators, heat registers, stoves, or other appliances that produce heat.
 - 10 Power sources - the appliance should be connected to a power supply only of the type described in the operating instructions or as marked on the appliance.
 - 11 Power cord protection - power-supply cords should be routed so that they are not likely to be walked on or pinched by items placed on or against them, paying particular attention to cords at plugs, convenience receptacles and the point where they exit from appliance.
 - 12 Cleaning - do not use any liquid cleaners. Use only a dry cloth to wipe off dust and grease.
 - 13 Non-use periods - the power cord of the appliance should be unplugged from the outlet when left unused for a long period of time.
 - 14 Object and liquid entry - care should be taken so that objects do not fall and liquids are not spilled into the enclosure through openings.
 - 15 Damage requiring service - the appliance should be serviced by qualified personnel when:
 - a) The power-supply cord or the plug has been damaged; or
 - b) Objects have fallen, or liquid has been spilled into the appliance; or
 - c) The appliance has been exposed to rain; or
 - d) The appliance does not appear to operate normally, or exhibits a marked change in performance; or
 - e) The appliance has been dropped, or the enclosure damaged.
 - 16 Servicing - the user should not attempt to service the appliance beyond that described in the operating instructions. All other servicing should be referred to qualified service personnel.
-

CONTENTS

1.0 INTRODUCTION	8
2.0 UNPACKING	8
3.0 POSITIONING	8
4.0 CONNECTION	8
5.0 INSTALLING AND ADJUSTING	10
6.0 RUNNING-IN	12
7.0 OVERLOADING	12
8.0 MAINTENANCE	12
9.0 DISPOSAL	12
10.0 AMPLIFIER BACK PLATE (FIGURE 3)	12
11.0 TECHNICAL SPECIFICATIONS	13

1.0 INTRODUCTION

Congratulations on your new fine DALI FAZON SUB 1 subwoofer. Please read this manual thoroughly before unpacking and installing the subwoofer in order to get most from your purchase. You can find more information on our website: www.dali-speakers.com or by contacting your authorised DALI dealer.

2.0 UNPACKING

Be careful not to damage the contents when unpacking the parts (see figure 1). Check that all parts are included in the cardboard box (see figure 1). Keep the packaging materials in case your speaker needs to be relocated or serviced.

3.0 POSITIONING

Both the amount and quality of the deep bass depend on the size and shape of the room, the position of the subwoofer(s) and the main speakers. If positioned near a side or back wall, the bass will be accentuated. A corner position will accentuate it even more, and we recommend this position, as it increases the maximum bass output while simultaneously reducing the risk of overloading your subwoofer.

DALI FAZON SUB 1 features a down-firing woofer, which is elevated from the floor by means of the integrated feet of the subwoofer.

NOTE: Placing the subwoofer on a thick carpet may prevent a free flow of air, resulting in a loss of sound quality.

Located at the rear side of the subwoofer is a heat sink, which can become hot when the subwoofer is powered. Prevent the heat sink from being blocked or covered. Ensure a minimum distance of 5 cm/2" between the heat sink and the nearest obstacle to secure free airflow around the heat sink.

4.0 CONNECTION

DALI FAZON SUB 1 has a built-in power amplifier with an active crossover. The inputs of the subwoofer amplifier should be connected to your stereo or surround sound (pre-)amplifier using a RCA cable (sold separately). When changing connections, always disconnect the mains voltage from the subwoofer to prevent damage.

The subwoofer can be connected to your stereo or surround sound amplifier in two ways:

- 1) **LINE input:** The signal from the amplifier is low pass filtered inside the subwoofer using one or both of the **LINE INPUTS**. This way of connecting the subwoofer is typically used for connecting to a stereo amplifier/receiver.
- 2) **LFE input:** the signal from the amplifier is filtered inside the amplifier using the **R/LFE** input connector. This way of connecting the subwoofer is typically used for surround sound (A/V receiver) setups.

NOTE: When the subwoofer is connected to the music/home cinema system, don't power up the subwoofer until all other components are all "on".

4.1 STEREO CONNECTIONS

If you want to use DALI FAZON SUB 1 in a stereo setup, your stereo (pre-)amplifier should have either a set of stereo RCA line outputs or a mono RCA line output available (please refer to the instruction manual of your stereo (pre-)amplifier). The line output connector(s) of your stereo (pre-) amplifier must be connected to the LINE INPUT connectors (L+R/LFE) of the subwoofer via one or two RCA cables (sold separately).

4.2 SURROUND SOUND CONNECTIONS

4.2.1 LINE INPUT (MODE SELECTOR SET TO NORMAL)

Use the LINE INPUT connectors L and/or R/LFE with the MODE selector set to NORMAL if you want to adjust the subwoofer Frequency output using the FAZON SUB 1 crossover button.

To use this option, connect the subwoofer output connector(s) of your surround sound (pre-) amplifier with the LINE INPUT connectors on the subwoofer using a RCA cable (sold separately). If the surround sound (pre-) amplifier has only one subwoofer output connector, connect it to the LINE INPUT L connector (white) of the subwoofer using a RCA cable (sold separately). If there are two subwoofer output connectors, connect both LINE INPUT L and R/LFE connectors using RCA cables (sold separately).

Please refer to chapter “5.0 Installing and Adjusting” for instructions on how to make the adjustments.

4.2.2 LFE INPUT (MODE SELECTOR SET TO LFE)

Use the R/LFE input connector (red), if you want to adjust the subwoofer output from your surround sound (pre-) amplifier. When the R/LFE input connector is used and the MODE selector is set to LFE, the built-in crossovers are bypassed and the crossover frequency adjustment button will not be functioning.

To use this option, connect the surround sound (pre-) amplifier subwoofer output to the R/LFE input connector on the FAZON SUB 1 with a RCA cable (sold separately). Please refer to the instruction manual of your surround sound (pre-) amplifier on how to adjust the crossover settings.

4.3 USING TWO SUBWOOFERS

In most cases you will achieve excellent results with one DALI FAZON SUB 1. Use of two subwoofers is possible as a no-compromise stereo solution, or for reproduction of very powerful sound pressures in a stereo or surround setup in larger rooms.

The connections are basically the same as stated in previous chapters, but for stereo you should only connect the left channel output connector of your stereo or surround (pre-) amplifier to the LINE INPUT L connector on the DALI FAZON SUB 1 placed to the left in your room. In a similar way you should connect the right channel output connector of your stereo or surround (pre-) amplifier to the LINE INPUT R/LFE connector on the DALI FAZON SUB 1 placed to the right in your room.

For a surround setup, split the output signal from your surround sound (pre) amplifier using a RCA splitter (sold separately) and connect the two outputs. In all other respects, follow the instructions above - but use separate channels. Please consult your authorised DALI dealer if you have further questions.

5.0 INSTALLING AND ADJUSTING

Start by checking that the VOLTAGE selector is set to a voltage that corresponds to the voltage of your mains output.

WARNING: If the VOLTAGE selector is not set correctly, there is a serious risk that the electronics of the subwoofer will suffer permanent damage.

After setting the VOLTAGE selector, move the POWER switch to ON. Adjusting the subwoofer is done using the controls on the rear side of the subwoofer in accordance with the following tuning method, which will help you achieve the best results: Play a piece of music you know well, preferably one including rhythmic bass such as kettle drums, bass guitar etc.

Since the performance is highly dependent on the main speakers, the listening room, the subwoofer position in the room and your personal preferences, we recommend experimenting with different settings to achieve the best listening results rather than giving any specific advice on settings.

NOTE: The position of the subwoofer will significantly affect its contribution to the overall sound (see chapter “3.0 Positioning”). When you have decided which method of connection you want to use and you have positioned the subwoofer, you can begin the process of tuning the system.

You are now ready to adjust your DALI FAZON SUB 1.

5.1 PHASE SETTING

The PHASE switch of the subwoofer has two settings: 0 degrees or 180 degrees. The phase setting will adjust the timing between the subwoofer and the main speakers. To set the phase, do the following:

- 1) Turn up the volume of your subwoofer (see figure 3) a little higher than you would normally.
- 2) Set the crossover point to maximum (150 Hz).
NOTE: If you have connected the subwoofer via LFE instead of LINE level you need to set the crossover point for your subwoofer to maximum in the menu of your surround sound (pre-) amplifier. You might need to enter ‘small’ when selecting type of front speakers in the menu.
- 3) In your listening position, play music of the type previously described.
- 4) Toggle between 0° and 180° while focusing on the bass output.

The optimal setting of the PHASE switch is where you experience maximum bass output.

5.2 VOLUME ADJUSTMENT

On the rear of the subwoofer you can increase or reduce the volume by turning the VOLUME control clockwise or counter clockwise.

The volume should be adjusted so that the bass matches the level of your main speakers. You should be able to appreciate your subwoofer’s contribution to the overall sound without it ever

being overpowering. Bass must be tight and accurate so that the subwoofer reproduces the exact amount of bass present in the music/soundtrack; no more no less. When installing the DALI FAZON SUB 1 in a surround sound system, we recommend selecting a fixed level on the sub and adjusting the subwoofer output using the surround (pre-) amplifier's setup function.

If bass levels are set too high, distortion will reduce the quality of your listening experience. Remember that you can boost the bass level by selecting a physical position close to the wall or even better – in a corner (see chapter “3.0 Positioning”).

5.3 CROSSOVER FREQUENCY ADJUSTMENT

Once you have set the phase and the volume level, you need to adjust the overlap between the main speakers and the DALI FAZON SUB 1.

5.3.1 USING LINE INPUT (MODE SELECTOR SET TO NORMAL)

The crossover frequency adjustment on the subwoofer is only possible when using the LINE INPUT(S) given that the MODE selector is set to NORMAL.

On the rear of the subwoofer, adjust the CROSSOVER button upwards until you can hear the bass is even with no drop-outs (Frequency range 50-150 Hz). Smaller speakers typically require a higher crossover point, whereas larger speakers will accept a lower crossover point. When connecting your DALI FAZON SUB 1 to smaller speakers, e.g. the DALI MOTIF LCR or the DALI FAZON SAT, we recommend a crossover point of approximately 100 Hz (12 o'clock position).

After having adjusted the crossover frequency you may have to re-adjust the volume to optimise performance.

5.3.2 USING LFE INPUT (MODE SELECTOR SET TO LFE)

When connecting your DALI FAZON SUB 1 to smaller speakers, e.g. the DALI MOTIF LCR or the DALI FAZON SAT, we recommend a crossover point of 100 Hz. This must be entered in the menu system of your (pre-) amplifier. You might need to enter the 'small' setting when selecting type of front speakers in the AV receiver menu.

Connecting larger speakers (typically floor-standing front speakers) will allow you to choose a lower crossover point, and to define your speakers as 'large' in the menu system.

If in doubt about the capacity of your speakers, we recommend setting the crossover point quite high, defining your speakers as small, and finally reducing the crossover point to the lowest possible position while maintaining an even bass with no drop-outs.

5.4 POWER

The POWER button is the main ON/OFF switch. We recommend switching OFF the subwoofer when it is not to be used for extended periods. When the POWER button is set to OFF there will still be voltage inside the subwoofer. If you completely disconnect the subwoofer from the mains voltage, please be sure to remove the mains plug from the subwoofer. When changing connections, always disconnect the mains voltage from the subwoofer. We recommend that you ALWAYS turn OFF the FAZON SUB on the rear side of the subwoofer BEFORE turning off the mains switch. Be sure that the correct VOLTAGE is selected before switching the POWER ON.

5.5 ON/STAND BY

The subwoofer has a built-in circuit that will power up the amplifier of the subwoofer when an input signal is detected (given that the POWER is set to ON). When the subwoofer is ON, the ON/STANDBY LED will light green. If an input signal is not detected for approximately 20 minutes, the subwoofer will go into standby mode and the ON/STANDBY LED on the rear of the subwoofer will light red.

6.0 RUNNING-IN

You should expect the sound quality from your new subwoofer to gradually improve during the initial period of use. Nothing particular has to be done in order to run in the subwoofer – but expect up to 100 hours of playback (depending on playback level) before full performance level is reached. Use normal music for running-in the subwoofer.

7.0 OVERLOADING

If DALI FAZON SUB 1 is overloaded, the built-in safety circuit will power down the subwoofer and the LED on the back of the product will turn to red. The subwoofer will power on again when the temperature of the built-in amplifier is within the safe working range.

NOTE: The built-in safety circuit is no guarantee against damage as a result of overloading.

8.0 MAINTENANCE

Cleaning the subwoofer surfaces can be done with ordinary household cleaning agents and using a micro fibre cloth. Avoid using products that are abrasive or contains acid, alkali or anti-bacterial agents. Avoid using aerosols. Avoid using cleaning agents directly on the drive unit and clean these with extreme care.

8.1 AVOID DIRECT SUNLIGHT

The surfaces of the subwoofer may fade or become discoloured over time when exposed to direct sunlight. Therefore avoid positioning the subwoofer in direct sunlight.

9.0 DISPOSAL

DALI products are designed to meet the international directives concerning Restriction of Hazardous Substances (RoHS) and disposal of Waste Electrical and Electronic Equipment (WEEE). The waste symbol indicates that the speakers meet the directives (see Figure 2). The subwoofer must be processed or recycled appropriately. Please consult your local waste authority for guidance.

10.0 AMPLIFIER BACK PLATE (FIGURE 3)

- A) ON/STANDBY LED, indicator is green when POWER is set to ON and when an input signal on the LINE INPUT(S) is detected. The LED is red, if the subwoofer is powered down on standby.
- B) MODE selector: When the MODE selector is set to NORMAL, the built-in crossover will be active and you can adjust the crossover frequency on the CROSSOVER button given that the input signal is connected to the LINE INPUT L (or both L and R/LFE). When the MODE selector is set to LFE, the LFE input signal should be connected to the LINE INPUT R/LFE. In this case, the built-in crossover will be bypassed and the CROSSOVER button is not active; the subwoofer sound must be adjusted from the stereo or surround sound (pre-) amplifier.

- C) VOLUME adjustment: Turn the button towards “Max” to increase the sound level. To reduce the sound level, turn the button towards “Min”.
- D) CROSSOVER: Adjustment of the crossover frequency from 50 Hz to 150 Hz. To be able to adjust the crossover frequency, the MODE selector must be set to NORMAL (see B).
- E) PHASE: push the PHASE button to toggle the phase of the subwoofer to either 0 degrees or 180 degrees phase angle.
- F) LINE input: (MODE selector set to NORMAL): Connect the “L” input connector (white) to the LEFT RCA line output connector of your stereo/surround sound (pre-) amplifier. Connect the “R/LFE” input connector (red) to the RIGHT RCA line output connector of your stereo/surround sound (pre-) amplifier. LFE input: (MODE selector set to LFE): connect the “R/LFE” input connector (red) to the LFE RCA line output of your surround sound amplifier.
- G) POWER switch: Set the switch to ON to power up the subwoofer. Set the switch to OFF to power off the subwoofer.
- H) VOLTAGE selector: Set the VOLTAGE selector to match the voltage of your mains supply.
CAUTION: If the voltage selector is not set correctly there is a risk that the electronics of the subwoofer will become defective when the subwoofer is connected to the mains.
- I) FUSE compartment: If the subwoofer fails to power up when the connected to the mains and the POWER switch is set to ON, the fuse may have blown or be faulty. Replace the fuse with the same type as originally supplied – see fuse type on the amplifier back plate. If the fuse blows repeatedly, have the subwoofer checked at an authorised service centre – contact your authorised dealer. Check if the correct voltage has been selected.
- J) MAINS connector: Connect the supplied power cord to the MAINS connector and your mains outlet.
WARNING: MAKE SURE THAT THE VOLTAGE SELECTOR IS SET TO THE CORRECT VOLTAGE BEFORE CONNECTION.
- K) There are three settings for the POWER MODE switch: ON: The power to the subwoofer will be controlled by the POWER switch. AUTO: When the main power switch is on, the subwoofer amplifier will turn on when an input signal is detected on one of the inputs. When a signal is not detected for approximately 10 minutes, the subwoofer amplifier will go into standby-mode. OFF: The subwoofer will be powered down.

11.0 TECHNICAL SPECIFICATIONS

In table 2 you will find the most common specifications for our subwoofers. Please have in mind that there are countless methods for measuring subwoofers. However, none of them really tell you anything useful about how a subwoofer really sounds. Only your ears can decide whether one sub sounds better than another. Like all our speakers, DALI FAZON SUB 1 is designed to reproduce music as honestly as possible.

Enjoy your new DALI FAZON SUB 1!



ELEKTROSCHOCKGEFAHR – NICHT ÖFFNEN.
ZUR REDUZIERUNG DER ELEKTROSCHOCKGEFAHR
DIE RÜCKWAND NICHT ABNEHMEN. DAS GERÄT
ENTHÄLT KEINE VOM BENUTZER WARTBAREN TEILE.
WARTUNGSARBEITEN NUR VON QUALIFIZIERTEM
PERSONAL AUSFÜHREN LASSEN.



Das Blitzsymbol in einem gleichseitigen Dreieck soll Sie darauf aufmerksam machen, dass innerhalb des Gerätes unisolierte „gefährliche Spannungen“ vorliegen, deren Größenordnung ausreichen kann, um einen elektrischen Schlag zu verursachen.



Das Ausrufezeichen in einem gleichseitigen Dreieck soll Sie darauf aufmerksam machen, dass wichtige Bedienungs- und Wartungsanweisungen in der beigelegten Bedienungsanleitung zu finden sind.

-
- 1 Lesen Sie die Instruktionen: Sämtliche Sicherheitsund Bedienungsanweisungen sollten vor Inbetriebnahme des Geräts gelesen werden.
 - 2 Heben Sie sich die Instruktionen auf: Die Sicherheitsund Bedienungsanweisungen sollten so abgelegt werden, dass Sie auch künftig darin nachsehen können.
 - 3 Beachten Sie Warnungen: Alle Warnungen am Gerät und in den Bedienungsanweisungen sind zu befolgen.
 - 4 Halten Sie sich an die Instruktionen: Alle Anweisungen für Bedienung und Benutzung sind zu befolgen.
 - 5 Kein Wasser, keine Feuchtigkeit: Das Gerät nicht in Wassernähe benutzen! Also z.B. nicht in der Nähe von Badewanne, Waschbecken, Küchenspüle oder Wäschewanne, in keinem feuchten Keller und auch nicht am Swimmingpool o.Ä.
 - 6 Rollwagen oder Podeste: Das Gerät sollte nur dann mit einem Rollwagen oder Podest verwendet werden, wenn der Hersteller dies empfiehlt.
 - 7 Wand- oder Deckenmontage: Das Gerät sollte nur gemäß Empfehlungen des Herstellers an einer Wand oder Decke montiert werden.
 - 8 Belüftung: Das Gerät sollte an einem geeigneten Standort so aufgestellt werden, dass die ordnungsgemäße Belüftung des Geräts nicht beeinträchtigt wird. Das Gerät sollte z.B. nie auf einem Bett, Sofa, Teppich oder einer ähnlichen Oberfläche aufgestellt werden, die zu einem Verschluss der Belüftungsöffnungen führen könnte. Das Gerät sollte auch nicht in Einbaumöbeln wie Bücherregalen oder Schränken aufgestellt werden, wo der Luftfluss durch die Belüftungsöffnungen beeinträchtigt werden könnte.
 - 9 Wärme: Das Gerät sollte in sicherer Entfernung von Wärmequellen wie Heizkörpern, Heizregistern, Öfen oder sonstigen Wärme erzeugenden bzw. abgebenden Vorrichtungen aufgestellt werden.
 - 10 Stromquellen: Das Gerät sollte ausschließlich an Stromquellen des in der Betriebsanleitung bzw. am Gerät angegebenen Typs angeschlossen werden.
 - 11 Schutz der Stromkabel: Verlegen Sie die Kabel für die Netzverbindung so, dass möglichst niemand darauf treten wird und sie auch nicht eingequetscht werden. Dabei ist besonders auf die Kabelabschnitte nahe der Steckdose und in unmittelbarer Nähe des Geräts zu achten.
 - 12 Reinigung: Verwenden Sie keine flüssigen Reinigungsmittel. Benutzen Sie nur einen trockenen Lappen zum Abwischen von Staub und Fett.
 - 13 Nichtgebrauch: Bei längerem Nichtgebrauch sollte der Netzstecker gezogen werden.
 - 14 Eindringen von Objekten oder Flüssigkeiten: Achten Sie darauf, dass durch die Öffnungen keine Gegenstände ins Gehäuse fallen und keine Flüssigkeiten dort hinein verschüttet werden.
 - 15 Schäden, die eine qualifizierte Wartung bzw. Reparatur erfordern: Bringen Sie das Gerät in folgenden Fällen zum Fachmann:
 - a) wenn das Stromkabel oder der Stecker beschädigt wurde; oder
 - b) wenn Objekte ins Gerät gefallen sind oder Flüssigkeit eingedrungen ist; oder
 - c) wenn das Gerät im Regen gestanden hat; oder
 - d) wenn das Gerät nicht normal zu funktionieren scheint oder wenn im Betrieb des Geräts eine ausgeprägte Änderung eingetreten ist; oder
 - e) wenn das Gerät fallen gelassen wurde oder Schäden am Gehäuse vorliegen.
 - 16 Wartung: Der Benutzer sollte keinerlei Wartung des Geräts versuchen, die über die diesbezüglichen Angaben in den Betriebsanweisungen hinausgeht. Alle andere Wartung sollte qualifiziertem Wartungspersonal überlassen werden.
-

INHALT

1.0 BENUTZERHANDBUCH	16
2.0 AUSPACKEN	16
3.0 AUFSTELLEN	16
4.0 ANSCHLÜSSE	16
5.0 EINSTELLUNG	17
6.0 EINLAUFZEIT	20
7.0 ÜBERLASTUNG	20
8.0 INSTANDHALTUNG	20
9.0 UMWELTINFORMATIONEN UND ENTSORGUNG	20
10.0 VERSTÄRKER RÜCKWAND (VGL. ABB. 3)	20
11.0 TECHNISCHE DATEN	21

1.0 BENUTZERHANDBUCH

Herzlichen Glückwunsch zu Ihrem hervorragenden neuen DALI FAZON SUB 1. Bitte lesen Sie diese Anleitung sorgfältig durch, bevor Sie den Subwoofer auspacken und aufstellen, damit Sie Freude an Ihrem Kauf haben. Weitere Informationen erhalten Sie auf unserer Homepage: www.dali-speakers.com oder indem Sie sich an Ihren autorisierten DALI-Händler wenden.

2.0 AUSPACKEN

Achten Sie darauf, beim Auspacken die Teile nicht zu beschädigen. Kontrollieren Sie, dass der Karton alle Teile enthält (vgl. Abb 1). Bewahren Sie die Verpackung für den Fall auf, dass der Lautsprecher später einmal transportiert werden muss.

3.0 AUFSTELLEN

Menge sowie Qualität der tiefen Bässe hängen von Größe und Form des Raumes sowie der Platzierung des Subwoofers und der anderen Lautsprecher ab. Eine Platzierung nahe einer Seiten- oder Rückwand hebt die Bässe hervor. Eine Eckposition hebt sie noch mehr hervor, und wir empfehlen diese Position, weil dadurch die maximale Bassleistung erhöht und gleichzeitig das Risiko einer Überlastung des Subwoofers verringert wird.

Der DALI FAZON SUB 1 verfügt über einen nach unten abstrahlenden Down-Firing-Tieftöner, der durch die eingebauten Füße des Subwoofers vom Boden abgehoben wird.

BITTE BEACHTEN: Wenn der Subwoofer auf einem dicken Teppich aufgestellt wird, kann dies den freien Luftstrom verhindern, was zu einem Verlust der Klangqualität führt.

Auf der Rückseite des Subwoofers befindet sich ein Kühlkörper, der sich beim Betrieb des Lautsprechers erhitzen kann. Achten Sie darauf, den Kühlkörper nicht abzudecken oder den freien Luftstrom zu ihm auf andere Weise zu blockieren. Zwischen dem Kühlkörper und anderen Gegenständen sollte daher ein Mindestabstand von 5 cm eingehalten werden.

4.0 ANSCHLÜSSE

Der DALI FAZON SUB 1 verfügt über einen eingebauten Verstärker sowie eine Frequenzweiche. Die Eingänge des Subwoofer-Verstärkers müssen mit der Stereoanlage oder dem Surround-Sound-(Vor-)verstärker mit cinch-Kabeln verbunden werden (nicht mitgeliefert). Trennen Sie den Subwoofer immer vom Stromnetz, wenn Sie Kabelverbindungen ändern, damit Schäden vermieden werden.

Der Subwoofer kann auf zwei verschiedene Arten mit Ihrer Stereo- bzw. Surround-Sound-Anlage verbunden werden:

- 1) LINE Input: Das Signal des Verstärkers wird an beiden Input-Anschlüssen im Subwoofer Tiefpass gefiltert. Der Anschluss des Subwoofers erfolgt gleichermaßen wie bei einem Stereoverstärker / Receiver.
- 2) LFE Input: Das Verstärkersignal wird intern gefiltert. Benutzen Sie bitte den „R/LFE“-Anschluss. Diese Art des Anschlusses wird üblicherweise für Surround-Sound-Anlagen gewählt.

BITTE BEACHTEN: Wenn der Subwoofer an ein Musik/Heimkinosystem angeschlossen ist, schalten Sie bitte erst die anderen elektronischen Geräte an und den Subwoofer zum Schluss.

4.1 STEREOANSCHLÜSSE

Wenn Sie den DALI FAZON SUB 1 an eine Stereoanlage anschließen wollen, muss Ihr Stereo(vor-)verstärker entweder über Stereo- oder über Monoausgänge mit cinch-Anschlüssen verfügen (bitte ziehen Sie die Anleitung Ihrer Stereoanlage zu Rate). Der oder die Ausgangsanschlüsse des Stereoverstärkers müssen mit einem oder zwei cinch-Kabeln (nicht mitgeliefert) mit den LINE-Eingängen (L und R/LFE) des Subwoofers verbunden werden.

4.2 SURROUND-SOUND-ANSCHLÜSSE

4.2.1 LINE-EINGANG (SCHALTER „MODE“ AUF „NORMAL“ EINGESTELLT)

Wenn Sie den FAZON SUB 1 mit der Fernbedienung steuern wollen, benutzen Sie die LINE-Eingänge L oder/und R/LFE, wobei der Wahlschalter „MODE“ auf „NORMAL“ stehen muss. Verbinden Sie dazu den oder die Subwoofer-Ausgänge Ihres Surround-Sound-Verstärkers mit cinch-Kabeln (nicht mitgeliefert) mit den LINE-Eingängen des Subwoofers. Wenn Ihr Surround-Sound-Verstärker nur einen Ausgangsanschluss für einen Subwoofer hat, verbinden Sie diesen mit dem LINE-Anschluss L (weiß) des Subwoofers. Verfügt Ihr Verstärker über zwei Subwoofer-Ausgangsanschlüsse, so verbinden Sie diese mit den beiden LINE-Eingängen L und R/LFE des Subwoofers. Vgl. auch Kapitel „5.0 Einstellen“ für eine Anleitung zur Einstellung des Subwoofers.

4.2.2 LFE-EINGANG (SCHALTER „MODE“ AUF „LFE“ EINGESTELLT)

Benutzen Sie den Eingang R/LFE (rot), wenn Sie den Subwoofer über Ihren Surround-Sound-Verstärker steuern möchten. Wenn der Wählschalter „MODE“ auf „LFE“ steht und der Eingangsanschluss R/LFE benutzt wird, wird die eingebaute Frequenzweiche umgangen und der Knopf zur Einstellung der Übergangsfrequenz hat keine Funktion. Verbinden Sie dazu den Subwoofer-Ausgang Ihres Surround-Sound-Verstärkers mit cinch-Kabeln (nicht mitgeliefert) mit dem Eingangsanschluss R/LFE des FAZON SUB 1. Bitte ziehen Sie die Anleitung Ihres Surround-Sound-Verstärkers zu Rate, um zu erfahren, wie man die Frequenzweiche einstellt.

4.3 EINSATZ VON ZWEI SUBWOOFERN

In den meisten Fällen erhalten Sie durch den Einsatz von nur einem DALI FAZON SUB 1 ausgezeichnete Ergebnisse. Für eine kompromisslose Stereo-Lösung oder für eine sehr kräftige Wiedergabe in größeren Räumen ist jedoch auch die Verwendung von zwei Subwoofern möglich. Der Anschluss ist grundsätzlich der gleiche, wie im vorigen Abschnitt beschrieben, aber für Stereo sollten Sie den linken Kanal (L) mit einem Eingangsanschluss des linken DALI FAZON SUB 1 verbinden und den rechten (R/LFE) Kanal mit einem Eingangsanschluss des rechten DALI FAZON SUB 1. Bei einer Surround-Sound-Anlage teilen Sie das Ausgangssignal des Surround-Sound-Verstärkers mit einem cinch-Splitter (nicht mitgeliefert) und schließen die beiden Subwoofer an diese Anschlüsse an. Folgen Sie ansonsten der im vorigen Abschnitt beschriebenen Vorgangsweise – aber benutzen Sie verschiedene Kanäle. Bitte wenden Sie sich an Ihren autorisierten DALI-Händler, falls Sie weitere Fragen haben sollten.

5.0 EINSTELLUNG

Beginnen Sie mit einer Kontrolle, ob der Netzspannungsschalter VOLTAGE auf Ihre Netzspannung eingestellt ist.

BITTE BEACHTEN: Wenn der Netzspannungsschalter nicht korrekt eingestellt ist, besteht die Gefahr, dass die Elektronik des Subwoofers dauerhaft beschädigt wird.

Nachdem Sie die Netzspannung kontrolliert und evtl. am Schalter VOLTAGE eingestellt haben, schalten Sie den Subwoofer ein (Schalter POWER auf ON). Die Einstellungen des Subwoofers werden mit den Schaltern auf der Rückseite vorgenommen. Gehen Sie dabei wie im Folgenden beschrieben vor, weil Sie so die besten Ergebnisse erhalten. Spielen Sie ein Musikstück ab, das Sie gut kennen, vorzugsweise eines mit einem rhythmischen Bass wie Pauke, Bassgitarre o. ä.

Da die Leistung wesentlich von den anderen Lautsprechern, dem Raum, dem Standort des Subwoofers in diesem Raum und nicht zuletzt von Ihren persönlichen Vorlieben abhängt, empfehlen wir, verschiedene Einstellungen auszuprobieren, um das optimale Hörerlebnis zu erzielen. Hier beschränken wir uns daher auf allgemeine Hinweise zu den verschiedenen Einstellungsmöglichkeiten.

BITTE BEACHTEN: Dass der Aufstellungsort des Subwoofers (vgl. oben Kapitel 3.0) ganz erheblich zum gesamten Klangbild Ihrer Anlage beiträgt. Wenn Sie den Subwoofer aufgestellt und angeschlossen haben, können Sie mit dem Vorgang der Abstimmung des Systems beginnen.

Sie können jetzt Ihren DALI FAZON SUB 1 einstellen.

5.1 PHASENEINSTELLUNG

Der Schalter PHASE des Subwoofers hat zwei Einstellungsmöglichkeiten: 0 Grad und 180 Grad. Die Einstellung der Phasenlage reguliert die Zeitverschiebung zwischen Subwoofer und Hauptlautsprechern. Die Phase wird folgendermaßen eingestellt:

- 1) Die Lautstärke des Subwoofers (siehe Abb. 3) etwas höher stellen, als man es normalerweise tun würde.
- 2) Die Trennfrequenz der Frequenzweiche auf Maximum stellen (150 Hz).
BITTE BEACHTEN: Wenn Sie den Subwoofer über LFE statt LINE angeschlossen haben, müssen Sie die Trennfrequenz im Menü Ihres Surround-Sound-(Vor-)Verstärkers auf Maximum stellen. Sie müssen eventuell im Menü bei der Auswahl der Art der Frontlautsprecher „Small“ eingeben.
- 3) Spielen Sie nun die oben genannte Art der Musik, während Sie sich an Ihrer normalen Hörposition befinden.
- 4) Schalten Sie nun zwischen 0° und 180° hin und her, wobei Sie sich auf die Bassleistung konzentrieren.

Die optimale Stellung des Phasenschalters ist die, bei der Sie den Eindruck der maximalen Bassleistung haben.

5.2 EINSTELLUNG DER LAUTSTÄRKE

Auf der Rückseite des Subwoofers kann die Lautstärke erhöht oder verringert werden, indem man den Schalter VOLUME mit oder gegen den Uhrzeigersinn dreht.

Die Lautstärke sollte so eingestellt werden, dass der Bass zur Lautstärke der übrigen Lautsprecher passt. Der Beitrag des Subwoofers zum gesamten Klangbild sollte deutlich sein, jedoch nicht zu kräftig. Die Bässe müssen klar und präzise sein, so dass der Subwoofer genau den Bassanteil wiedergibt, der auch im Musikstück bzw. Filmtönen vorhanden ist, weder mehr noch weniger. Wenn der DALI FAZON SUB 1 zusammen mit einer Surround-Sound-Anlage verwendet wird, ist es am besten, bei ihm eine feste Lautstärke einzustellen und den Bassanteil über den Surround-Verstärker zu regulieren.

Wenn der Bassanteil zu hoch ist, wird das Klangbild verzerrt und damit auch das Hörerlebnis verringert. Denken Sie daran, dass Sie die Bassleistung erhöhen können, indem Sie den Subwoofer nahe einer Wand oder – besser noch – in einer Ecke aufstellen (Siehe Kapitel 3.0 Aufstellung).

5.3 EINSTELLUNG DER FREQUENZZWEICHE

Nachdem Phase und Lautstärke eingestellt sind, müssen Sie mit der Einstellung der Tonüberschneidung zwischen dem DALI FAZON SUB 1 und den anderen Lautsprechern beginnen.

5.3.1 LINE-EINGANG (SCHALTER „MODE“ AUF „NORMAL“ EINGESTELLT)

Die Einstellung der Frequenzweiche am Subwoofer ist nur möglich, wenn LINE-Eingänge verwendet werden und der Schalter „MODE“ auf „NORMAL“ eingestellt ist.

Stellen Sie auf der Rückseite des Subwoofers den Knopf CROSSOVER nach oben, bis Sie hören können, dass die Bässe gleichmäßig und ohne Ausfälle wiedergegeben werden (Frequenzbereich 50-150 Hz). Kleinere Lautsprecher benötigen typischerweise eine höhere Trennfrequenz, wohingegen für größere Lautsprecher eine niedrigere ausreichend ist. Wenn Sie den DALI FAZON SUB 1 zusammen mit kleineren Lautsprechern, wie z. B. dem DALI MOTIF LCR oder dem DALI FAZON SAT verwenden, empfehlen wir eine Trennfrequenz von etwa 100 Hz (12 Uhr-Stellung).

Nach Einstellung der Frequenzweiche kann es sich zur Optimierung des Hörerlebnisses empfehlen, die Lautstärke nachzuregulieren.

5.3.2 LFE-EINGANG (SCHALTER „MODE“ AUF „LFE“ EINGESTELLT)

Wenn Sie den DALI FAZON SUB 1 zusammen mit kleineren Lautsprechern, wie z. B. dem DALI MOTIF LCR oder dem DALI FAZON SAT verwenden, empfehlen wir eine Trennfrequenz von etwa 100 Hz. Der Wert muss im Menüsystem Ihres (Vor-)Verstärkers eingegeben werden. Sie müssen eventuell im Menü des AV-Empfängers bei der Auswahl der Art der Frontlautsprecher „Small“ eingeben.

Wenn Sie größere Lautsprecher verwenden (typischerweise Bodenlautsprecher als Frontlautsprecher), können Sie eine niedrigere Trennfrequenz wählen. Sie geben dann im Menüsystem „Large“ als Lautsprecherart an.

Wenn Sie sich über die Kapazität Ihrer Lautsprecher unsicher sind, empfehlen wir, zuerst eine relativ hohe Trennfrequenz einzugeben („Small“ im Menüsystem) und dann die Trennfrequenz auf den niedrigsten möglichen Wert zu verstellen, bei dem der Bass noch gleichmäßig und ohne Ausfälle wiedergegeben wird.

5.4 SCHALTER POWER

Der Schalter POWER ist der Hauptschalter zum Ein- (ON) bzw. Ausschalten (OFF). Wir empfehlen, den Subwoofer auszuschalten, wenn er für längere Zeit nicht benutzt wird. Auch wenn der Subwoofer ausgeschaltet ist, stehen einige Teile noch unter Strom. Um den Subwoofer vollständig vom Stromnetz zu trennen, ist der Netzstecker zu ziehen. Trennen Sie den Subwoofer immer vom Stromnetz, wenn Sie Kabelverbindungen ändern. Für den Fall, dass Sie den Haushaltsstrom abschalten wollen, empfehlen wir, dass Sie den DALI FAZON SUB 1 auf der Rückseite IMMER ausschalten, BEVOR Sie den Strom abstellen. Vor dem Einschalten immer kontrollieren, ob am Subwoofer die korrekte Netzspannung eingestellt ist.

5.5 ANZEIGE ON/STANDBY

Der Subwoofer verfügt über einen eingebauten Schaltkreis, der den Verstärker des Subwoofers einschaltet, wenn ein Eingangssignal entdeckt wird (vorausgesetzt, dass der Schalter POWER auf ON steht). Wenn der Subwoofer eingeschaltet ist, leuchtet die Leuchtdiode ON/STANDBY grün. Wenn über ca. 20 Minuten kein Eingangssignal festgestellt wird, geht der Subwoofer von selbst in den Bereitschaftszustand und die Leuchtdiode ON/STANDBY auf der Rückseite leuchtet rot.

6.0 EINLAUFZEIT

Sie sollten damit rechnen, dass sich die Klangqualität des neuen Subwoofers im Laufe der ersten Zeit allmählich verbessert. In dieser Einlaufzeit braucht man nichts Besonderes zu tun – doch rechnen Sie mit bis zu 100 Stunden der Benutzung (abhängig von der Lautstärke), bis das volle Leistungsniveau erreicht ist. Zum Einlaufen des Subwoofers die normale Musik benutzen.

7.0 ÜBERLASTUNG

Bei einer Überlastung des DALI FAZON SUB 1 schaltet ein eingebauter Sicherheitsschaltkreis den Subwoofer herunter und die LED auf der Rückseite leuchtet rot. Der Subwoofer schaltet sich wieder ein, wenn die Temperatur der eingebauten Verstärker wieder in einen sicheren Bereich abgesunken ist.

BITTE BEACHTEN: Der eingebaute Sicherheitsschaltkreis keine Garantie gegen das Auftreten von Schäden durch eine Überlastung darstellt.

8.0 INSTANDHALTUNG

Die Oberfläche des Subwoofer kann mit gewöhnlichen Haushaltsreinigungsmitteln gereinigt werden. Es dürfen jedoch keine Reinigungsmittel verwendet werden, die scheuern, Säuren, Alkali oder antibakterielle Wirkstoffe enthalten. Verwenden Sie keine Sprays. Verwenden Sie keine Reinigungsmittel direkt auf den Antriebseinheiten und reinigen Sie diese extrem vorsichtig.

8.1 DIREKTES SONNENLICHT VERMEIDEN

Wenn der Subwoofer direktem Sonnenlicht ausgesetzt wird, können im Laufe der Zeit seine Oberflächen ausbleichen. Vermeiden Sie es deshalb, das Gerät in direktem Sonnenlicht aufzustellen

9.0 UMWELTINFORMATIONEN UND ENTSORGUNG

Die Erzeugnisse von DALI entsprechen der Eu-Richtlinie 2002/95/EG zur Beschränkung der Verwendung bestimmter gefährlicher Stoffe in Elektro- und Elektronikgeräten sowie der Eu-Richtlinie 2002/96/EG über die Entsorgung von Elektro- und Elektronik-Altgeräten. Das Abfall-Kennzeichen zeigt an, dass der Subwoofer den genannten Direktiven entspricht (vgl. Abb. 2). Der Subwoofermuss ordnungsgemäß entsorgt und recycelt werden. Bitte wenden Sie sich für weitere Informationen an Ihr örtliches Entsorgungsunternehmen.

10.0 VERSTÄRKER RÜCKWAND (VGL. ABB. 3)

- A) ON/STANDBY Leuchtdioden-Anzeige; sie leuchtet grün, wenn POWER an ist (ON) und an LINE INPUT ein Eingangssignal erkannt wurde. Die Leuchtdiode leuchtet rot, wenn sich der Subwoofer im Standby-Modus befindet.
- B) MODE-Wählschalter; wenn der Schalter auf NORMAL steht, ist die eingebaute Frequenzweiche aktiv und Sie können die gewünschte Übergangsfrequenz am CROSSOVERSchalter einstellen, falls das Eingangssignal mit LINE INPUT L (oder sowohl L als auch R/LFE) verbunden ist.

Wenn der MODE-Schalter auf LFE steht, muss das LFE-Eingangssignal mit LINE INPUT R/LFE verbunden sein. In diesem Fall wird die eingebaute Funktion der Frequenzweiche umgangen und der Schalter CROSSOVER ist nicht aktiviert, der Klang des Subwoofers muss dann von der Stereoanlage oder dem Surround-Sound-(Vor-)verstärker aus eingestellt werden.

- C) VOLUME – Lautstärkeeinstellung, den Knopf nach „Max“ drehen, um die Lautstärke zu erhöhen. Um die Lautstärke zu verringern, den Knopf nach „Min“ drehen.
- D) CROSSOVER; Einstellung der Übergangsfrequenz der Frequenzweiche von 50 Hz bis 150 Hz. Die Übergangsfrequenz kann nur dann eingestellt werden, wenn der Schalter MODE auf NORMAL steht (vgl. B).
- E) PHASE; den PHASE-Knopf drücken, um die Phase des Subwoofers auf einen Phasenwinkel von entweder 0 oder 180 Grad einzustellen.
- F) LINE-Eingangsanschluss: (Wahlschalter MODE auf NORMAL gestellt); den „L“-Eingang (weiß) mit dem LINKEN Ausgangsanschluss der Stereoanlage bzw. des Surround-Sound-(Vor-)verstärkers verbinden. Den Eingang „R/LFE“ (rot) mit dem RECHTEN Ausgangsanschluss der Stereoanlage bzw. des Surround-Sound-(Vor-)verstärkers verbinden.
LFE-Eingangsanschluss: (Wahlschalter MODE auf LFE gestellt); den „R/LFE“-Eingang (rot) mit dem LFE-Ausgangsanschluss des Surround-Sound-Verstärkers verbinden.
- G) POWER; auf ON (an) stellen, um den Subwoofer einzuschalten. Zum Ausschalten des Subwoofers den Schalter auf OFF (aus) stellen.
- H) VOLTAGE (Netzspannung); kontrollieren, dass die eingestellte Netzspannung mit der Ihres Stromanschlusses übereinstimmt.

ACHTUNG: Wenn der Netzspannungsschalter nicht korrekt eingestellt ist, besteht die Gefahr, dass beim Einschalten des Subwoofers dessen Elektronik beschädigt wird.

- I) FUSE (Sicherung); wenn der Subwoofer nicht angeht, obwohl er am Stromnetz angeschlossen ist und der Schalter POWER auf ON steht, kann die Sicherung durchgebrannt sein. Dann die Sicherung durch eine neue des gleichen Typs ersetzen – vgl. die Angaben zum Sicherungstyp auf der Rückwand. Wenn die Sicherung öfters durchbrennt, sollten Sie den Subwoofer von einem autorisierten Kundendienst kontrollieren lassen – wenden Sie sich dazu bitte an Ihren autorisierten Händler. Kontrollieren, ob die korrekte Netzspannung eingestellt ist.
- J) MAINS (Stromanschluss); stecken Sie das mitgelieferte Stromkabel in den Anschluss MAINS und die Steckdose.
ACHTUNG: VOR DEM ANSCHLUSS AN DAS STROMNETZ KONTROLLIEREN, OB AM GERÄT DIE KORREKTE NETZSPANNUNG EINGESTELLT IST.
- K) Für den POWER MODE -Schalter gibt es drei Einstellungen: ON: In dieser Einstellung wird die Stromzufuhr des Subwoofers mit dem POWER-Schalter kontrolliert. AUTO: Ist der Hauptnetzschalter aktiviert, wird der Subwoofer-Verstärker sich einschalten, sobald ein Inputsignal an einem der Eingänge festgestellt wird. Wird etwa 10 Minuten lang kein Signal festgestellt, geht der Subwoofer auf standby. OFF: Der Subwoofer wird abgeschaltet sein.

11.0 TECHNISCHE DATEN

In tabelle 2 finden Sie eine Aufstellung der wichtigsten technischen Daten Ihrer subwoofer. Bedenken Sie, dass es unzählige Methoden zur technischen Messung von Subwoofern gibt. Keine von ihnen wird Ihnen jedoch etwas Nützliches darüber verraten, wie ein Subwoofer wirklich klingt. Allein Ihre Ohren können entscheiden, ob ein Lautsprecher besser klingt als ein anderer. Wie alle unsere Lautsprecher wurde auch der DALI FAZON SUB 1 so konstruiert, dass er die Musik so originalgetreu wie nur irgend möglich wiedergibt.

Viel Vergnügen mit Ihrem neuen DALI FAZON SUB 1!

ADVARSEL

UNDGÅ STØDRISIKO. APPARATET MÅ IKKE ÅBNES. FOR AT MINDSKE RISIKO FOR ELEKTRISK STØD, MÅ BAGPANEL IKKE FJERNES. DER ER INTET INDENI SOM KAN SERVICERES AF BRUGEREN. AL SERVICE HENVISES TIL AUTORISERET VÆRKSTED.



Lynsymbolet i en trekant skal advare brugeren mod uisoleret farlig spænding inde i apparatet som kan være stor nok til at udgøre risiko for elektrisk stød.



Symbolet med udråbstegn i en trekant skal advare brugeren om vigtige forholdsregler vedr. brug, vedligeholdelse (service) af apparatet (den medfølgende litteratur).

-
- 1 Læs informationerne - Alt vedr. sikkerhed og betjening bør læses inden produktet tages i brug.
 - 2 Gem informationerne - Informationer om sikkerhed og betjening bør også opbevares til senere brug.
 - 3 Overhold advarsler - Overhold nøje alle advarsler som findes på produktet eller i brugsvejledningen.
 - 4 Følg instruktionerne - Alle sikkerheds- og betjeningsinstrukser bør overholdes nøje.
 - 5 Vand og fugt - Produktet bør ikke benyttes tæt på vand, f.eks. badekar, håndvask, køkkenvask, vaskebalje, fugtig kælder, swimming pool, o.s.v.
 - 6 Vogn og stander - Brug kun vogn eller stander i henhold til producentens anvisninger.
 - 7 Montering på loft eller væg - Apparatet bør kun lofts- eller vægmonteres i henhold til producentens anvisninger.
 - 8 Udluftning - Produktets placering skal tillade fri udluftning. Apparatet må f.eks. ikke placeres på seng, sofa, tæppe eller andet blødt underlag som kan blokere for udluftning. Produktet må ikke placeres i lukket reol eller racksystem som kan hæmme fri luft bevægelse til afkøling.
 - 9 Varme - Produktet bør placeres bort fra varmekilder som radiatorer, direkte sollys, ovn/komfur eller andre produkter (også effektforstærkere) der udstråler varme.
 - 10 Strømkilder - Produktet må kun strømfødes som beskrevet i brugsvejledning eller som angivet på selve produktet.
 - 11 Lysnetledning - Lysnetledninger bør placeres, så de ikke klemmes af gående eller af genstande placeret på eller ved dem. Pas især godt på ved stik, stikdåse og dér hvor ledningen kommer ud af produktet.
 - 12 Rengøring - Brug aldrig rengøringsvæsker. Brug kun en tør klud til at fjerne støv og snavs.
 - 13 Ved længere tid uden brug - Stikket bør tages ud af kontakten, hvis apparatet ikke skal bruges gennem længere tid.
 - 14 Fremmede genstande og væsker - Fremmede genstande eller væsker må aldrig trænge ind i apparatet gennem åbningerne.
 - 15 Skade der kræver service - Apparatet bør afleveres til service på autoriseret værksted i følgende tilfælde:
 - a) Når lysnetledning eller stik er beskadiget.
 - b) Når væske eller fremmed genstand er trængt ind i produktet.
 - c) Hvis produktet har været udsat for regn.
 - d) Hvis produktet ikke fungerer korrekt eller hvis produktets ydelse ændres markant.
 - e) Hvis produktet udsættes for slag, fald eller anden skade.
 - 16 Service - Brugeren bør ikke forsøge service udover det som beskrives i brugsvejledningen. Al anden service henvises til autoriseret værksted.
-

INDHOLDSFORTEGNELSE

1.0 INTRODUKTION	24
2.0 UDPAKNING	24
3.0 PLACERING	24
4.0 TILSLUTNINGER	24
5.0 INSTALLATION OG JUSTERING	25
6.0 IBRUGTAGNING	27
7.0 OVERBELASTNING	27
8.0 VEDLIGEHOLDELSE	27
9.0 MILJØOPLYSNINGER OG BORTSKAFFELSE	27
10.0 BAGPLADE – FORSTÆRKER (FIGUR 3)	28
11.0 TEKNISKE SPECIFIKATIONER	28

1.0 INTRODUKTION

Tillykke med din nye DALI FAZON SUB 1. For at få mest muligt ud af dit køb anbefaler vi at du læser denne manual grundigt igennem, inden du pakker subwooferen ud og installerer den. Du kan få flere oplysninger på vores hjemmeside www.dali-speakers.com eller ved at kontakte din autoriserede DALI-forhandler.

2.0 UDPAKNING

Pas på, at du ikke beskadiger indholdet, når du pakker delene ud. Kontrollér, at alle dele medfølger i kassen (se figur 1). Gem emballagen, hvis din subwoofer skal flyttes eller efterses.

3.0 PLACERING

Både mængden og kvaliteten af den dybe bas afhænger af rummets størrelse og form, placeringen af en eller flere subwoofere og højttalerne. Hvis den/de placeres i nærheden af en side- eller bagvæg, fremhæves bassen. En hjørneplacering vil fremhæve den endnu mere, og det er den placering, vi anbefaler, da den øger det maksimale bas-output, samtidig med at risikoen for overbelastning af subwooferen begrænses.

DALI FAZON SUB 1 indeholder en woofer, som presser luften nedad og dernæst løftes fra gulvet ved hjælp af subwooferens indbyggede sokkel.

Bemærk: Hvis subwooferen placeres på et tykt tæppe, kan det forhindre luftens frie bevægelighed og dermed resultere i tab af lyd kvalitet.

På bagsiden af subwooferen er der en varmeafleder, der kan blive varm, når subwooferen er tændt. Sørg for, at varmeaflederen ikke blokeres eller tildækkes. Sørg for, at der er mindst 5 cm mellem varmeaflederen og nærmeste genstand for at sikre fri bevægelighed af luft omkring varmeaflederen.

4.0 TILSLUTNINGER

DALI FAZON SUB 1 er udstyret med en indbygget forstærker med en aktiv defunktion. Indgangene til subwooferens forstærker skal være tilsluttet din stereo- eller surround sound-(for-)forstærker ved hjælp af et RCA-kabel (sælges separat). Når tilslutninger skiftes, skal spændingen altid kobles fra subwooferen for at undgå beskadigelse. Subwooferen kan tilsluttes din stereo- eller surround sound-forstærker på to måder:

- 1) LINE input: Signalet fra forstærkere "low pas" filtreres inde i subwooferen ved hjælp af det ene eller begge LINE INPUT. Denne måde at tilslutte subwooferen på anvendes typisk ifm tilslutning til en stereoforstærker og/eller receiver.
- 2) LFE input: Signalet fra forstærkeren filtreres inde i forstærkeren ved hjælp af R/LFE input-konnektoren. Denne måde at tilslutte subwooferen på anvendes typisk til surround sound-indstilling (A/V receiver)

BEMÆRK: Når subwooferen er forbundet til dit musik/hjemmebiograf system, skal subwooferen ikke tændes førend alle andre komponenter er tændt.

4.1 STEREO-FORBINDELSER

Hvis du ønsker at anvende DALI FAZON SUB 1 i stereo-indstilling, skal din stereo-(for-) forstærker enten være udstyret med et sæt stereo RCA line outputs eller et mono RCA line output (se manualen til din stereo-(for-)forstærker). Line output-konnektoren/-konnektorerne til din stereo-(for-)forstærker skal være tilsluttet subwooferens LINE INPUT-konnektorer (L+R/LFE) via et eller to RCA-kabler (sælges separat).

4.2 SURROUND SOUND-FORBINDELSER

4.2.1 LINE INPUT (MODE SELECTOR ER INDSTILLET TIL NORMAL)

Brug LINE INPUT-konnektererne L og/eller R/LFE med MODE selector indstillet til NORMAL, hvis du vil justere subwooferens Frequency output ved hjælp af crossover trykknappen på DALI FAZON SUB 1.

For at gøre det skal du forbinde subwoofer output-konnekteren/-konnektererne på din surround sound-(for-)forstærker med LINE INPut-konnektererne på subwooferen ved hjælp af et RcA-kabel (sælges separat). Hvis surround sound-(for-)forstærkeren kun har én subwoofer output-konnekter, skal du forbinde den til subwooferens LINE INPUT L-konnekter (hvid) ved hjælp af et RCA-kabel (sælges separat). Hvis der er to subwoofer output-konnektere, skal du forbinde både LINE INPUT L og R/LFE-konnektererne ved hjælp af et RcA-kabel (sælges separat).

Se kapitel "5.0 Installation og justering" for instruktioner om hvordan, du foretager justeringerne.

4.2.2 LFE INPUT (MODE SELECTOR ER INDSTILLET TIL LFE)

Benyt R/LFE input-konnekteren (rød) til at justere subwooferens output fra din surround sound-(for-)forstærker. Når R/LFE input-konnekteren benyttes, og MODE selector er indstillet til LFE, omgås de indbyggede delefunktioner, og delefrekvensknappen deaktiveres. For at benytte denne funktion skal subwooferens surround sound-(for-)forstærker forbindes til R/LFE input-konnekter på FAZON SUB 1 med et RCA-kabel (sælges separat). Se brugermanualen til din surround sound-(for-)forstærker, om hvordan delefrekvensindstillingerne justeres.

4.3 BRUG AF TO SUBWOOFERE

I de fleste tilfælde kan du opnå rigtig gode resultater med en DALI FAZON SUB 1. Det er muligt at benytte to subwoofere som en stereoløsning uden kompromis eller til gengivelse af meget effektfulde lydtryk i en stereo- eller surround- opsætning i større rum. Forbindelserne foregår på stort set samme måde som beskrevet i de tidligere kapitler, men til stereo skal du kun forbinde kanalen på venstre side (LINE INPUT L) til én input-konnekter på venstre DALI FAZON SUB 1 og kanalen på højre side (LINE INPUT R/LFE) til én input-konnekter på højre DALI FAZON SUB 1. til en surround-opsætning skal output-signalet fra din surround sound-(for-)forstærker deles ved hjælp af en RCA splitter (sælges separat) og forbindes til de to output. I alle andre henseender skal ovennævnte anvisninger følges – men benyt separate kanaler. Kontakt din autoriserede DALI-forhandler, hvis du har yderligere spørgsmål.

5.0 INSTALLATION OG JUSTERING

Begynd med at kontrollere, at VOLTAGE-selectoren er indstillet til en spænding, der svarer til spændingen på din stikkontakt.

ADVARSEL: Hvis VOLTAGE-selectoren ikke indstilles korrekt, er der alvorlig risiko for, at subwooferens elektronik beskadiges permanent.

Når VOLTAGE-selectoren er indstillet, skal POWER-kontakten placeres på ON. Indstilling af subwooferen sker ved hjælp af knapper på bagsiden af subwooferen i overensstemmelse med følgende justeringsmetode, som vil hjælpe dig til at opnå det bedste resultat: Spil et stykke musik, du kender godt, helst et med rytmisk bas såsom pauketrommer, basguitar osv.

Eftersom ydelsen i høj grad afhænger af højtalerne, rummet der lyttes i, subwooferens placering i rummet og dine personlige præferencer, anbefaler vi, at du prøver dig lidt frem med forskellige indstillinger for at opnå de bedste lytterresultater, i stedet for at komme med generelle råd om hvilke indstillinger, subwooferen skal være have.

BEMÆRK: Placeringen af subwooferen vil have betydelig indflydelse på dens bidrag til den tale lyd, se kapitel “3.0 Placering”. Når du har besluttet, hvilken tilslutningsmetode, du vil bruge, og har placeret subwooferen, kan du påbegynde tuningen af systemet.

Du er nu klar til at indstille din DALI FAZON SUB 1.

5.1 FASEINDSTILLING

Subwooferens PHASE-kontakt har to indstillinger: 0 grader eller 180 grader. PHASE-indstillingen justerer timingen mellem subwooferen og højttalerne. For at indstille faset skal du gøre følgende:

- 1) Skru op for subwooferens volumen (se figur 3) - lidt højere, end du normalt ville gøre.
- 2) Indstil delefrekvensen til maksimum (150 Hz).
BEMÆRK: Hvis du har forbundet subwooferen via LFE- i stedet for LINE-niveauet, skal du indstille delefrekvensen for din subwoofer til maksimum i din surroundsound (for-) forstærkers menu. Du kan være nødt til at taste “small”, når du vælger typen af højttalere i menuen.
- 3) Når du skal lytte, spil da musik af den type, som tidligere er beskrevet.
- 4) Skift mellem 0° og 180°, mens du fokuserer på bassens output.

Den optimale indstilling af PHASE-kontakten er, hvor du hører maksimal bas-output.

5.2 JUSTERING AF VOLUMEN

Bag på subwooferen kan du skru op eller ned for lyden ved at dreje på VOLUME-knappen med eller mod uret.

Lyden skal justeres, så bassen passer til dine højttaleres lydniveau. Du skal kunne høre, hvordan din subwoofer bidrager til en forbedret lyd, uden at den på noget tidspunkt overdøver. Bassen skal være stram og præcis, så subwooferen gendanner nøjagtig den mængde bas, der findes i musikken/lydsporet – hverken mere eller mindre. Når du installerer din DALI FAZON SUB 1 i et surroundsound-system, anbefaler vi, at du vælger et fast niveau på subwooferen og justerer subwooferens output ved hjælp af surround (for-) forstærkerens opsætningsfunktion.

Hvis basniveauet er sat for højt, vil forvrængning reducere kvaliteten af din lytteoplevelse. Husk, at du kan løfte basniveauet ved at vælge en placering tæt mod væggen eller endnu bedre - i et hjørne (se kapitel “3.0 Placering”).

5.3 JUSTERING AF DELEFREKVENNS

Når du har fundet fase- og volumenniveauet, skal du indstille overlapningen mellem højttalerne og din DALI FAZON SUB 1.

5.3.1 BRUG AF LINE INPUT (MODE SELECTOR INDSTILLET PÅ NORMAL)

Justering af delefrekvensen på subwooferen er kun mulig ved hjælp af LINE INPUT, forudsat at Mode selector er indstillet til NORMAL.

Bag på subwooferen justeres CROSSOVER-knappen opad, indtil du kan høre, at bassen er jævn og uden udfald (frekvensområde 50-150 Hz). Mindre højttalere har typisk brug for en højere delefrekvens, mens større højttalere kan klare en lavere delefrekvens. Når du tilslutter din DALI FAZON SUB 1 til mindre højttalere, f.eks. DALI MOTIF LCR eller DALI FAZON SAT, anbefaler vi en delefrekvens på ca. 100 Hz (kl. 12-position).

Når du har justeret deflekvensen, kan du være nødt til at justere volumen igen for optimal effekt.

5.4 POWER

POWER-knappen er tænd-/slukknop (ON/OFF). Vi anbefaler, at du slukker for subwooferen ved at trykke på OFF, når den ikke bruges i længere tid. Når POWER-knappen står på OFF, vil der stadig være spænding inden i subwooferen. Hvis subwooferen skal afbrydes helt, skal du trække stikket ud af subwooferen. Når tilslutninger skiftes, skal spændingen altid kobles fra subwooferen. Vi anbefaler, at du ALTID slukker for DALI FAZON SUB 1 bag på subwooferen, INDEN du slukker for strømmen. Sørg for, at den korrekte spænding er valgt, inden du tænder for strømmen igen.

5.5 ON/STAND-BY

Subwooferen har en indbygget kreds, der tænder for subwooferens forstærker, når der registreres et input-signal (forudsat at POWER står på ON). Når subwooferen står på ON, lyser ON/STAND-BY-lampen grønt. Hvis der ikke registreres et input-signal i ca. 20 minutter, går subwooferen i stand-by, og ON/STAND-BY-lampen bag på subwooferen vil lyse rødt.

6.0 IBRUGTAGNING

Du kan forvente, at lyd kvaliteten i din nye subwoofer gradvist bliver bedre i løbet af det første stykke tid. Der er ikke gjort noget særligt for at indkøre subwooferen - men du kan forvente op til 100 timers afspilning (afhængig af afspilningsniveau), inden subwooferens fulde potentiale er nået. Brug normal musik til at indkøre subwooferen.

7.0 OVERBELASTNING

Hvis DALI FAZON SUB 1 overbelastes, vil den indbyggede sikring afbryde strømmen til subwooferen, og dioden på bagsiden lyser rødt. Strømmen til subwooferen tilsluttes igen, når temperaturen på den indbyggede forstærker er faldet til et normalt område.

BEMÆRK: Den indbyggede sikring ikke garanterer mod beskadigelse som følge af overbelastning.

8.0 VEDLIGEHOLDELSE

Subwooferens overflader kan rengøres med almindelige rengøringsmidler til husholdning og en mikrofiberklud. undgå at bruge produkter med slibemiddel eller produkter indeholdende syre, alkali eller antibakterielle stoffer. undgå brug af aerosoler. Undgå at bruge rengøringsmidler direkte på drivenhederne og rengør dem ekstra forsigtigt.

8.1 UNDGÅ DIREKTE SOLLYS

Subwooferens overflade kan med tiden falme, hvis de udsættes for direkte sollys. Undgå derfor at placere subwooferen i direkte sollys.

9.0 MILJØOPLYSNINGER OG BORTSKAFFELSE

DALIs produkter er fremstillet, så de opfylder Eu's direktiv om begrænsning af anvendelsen af visse farlige stoffer i elektrisk og elektronisk udstyr (RoHS) og WEEE-direktivet om affald af elektrisk og elektronisk udstyr. Affaldssymbolet viser, at subwooferen overholder disse direktiver (se figur 2). Subwooferen skal bortskaffes eller genvindes korrekt. Kontakt din lokale kommune eller dit renovationsselskab for flere oplysninger.

10.0 BAGPLADE – FORSTÆRKER (FIGUR 3)

- A) ON/STAND-BY-indikatoren lyser grønt, når POWER står på ON, og når et input-signal er registreret på LINE INPUT(S). Lampen lyser rødt, hvis subwooferen står på stand-by.
- B) MODE selector: når MODE selector er indstillet til NORMAL, bliver den indbyggede delefunktion aktiv, og du kan justere delefrekvensen via CROSSOVER-knappen, forudsat at input-signalet er forbundet til LINE INPUT L (eller både L og R/LFE).
Når MODE selector er indstillet til LFE, skal LFE input-signalet forbindes til LINE INPUT R/LFE. I så tilfælde omgås den indbyggede delefunktion, og CROSSOVER-knappen er ikke aktiv. Lyden fra subwooferen skal justeres fra stereo- eller surround sound-(for-)forstærkeren.
- C) Justering af VOLUMEN: drej knappen mod "Max" for at skrue op for lyden. Drej knappen mod "Min" for at skrue ned for lyden.
- D) CROSSOVER: justering af delefrekvensen fra 50 Hz til 150 Hz. For at kunne justere delefrekvensen skal MODE selector være indstillet til NORMAL (se punkt B).
- E) PHASE: flyt på PHASE-knappen for at skifte fase på subwooferen til en fasevinkel på enten 0 eller 180 grader.
- F) LINE input: (MODE selector er indstillet til NORMAL) tilslut "L" input-konnektor (hvid) til LEFT RCA line output-konnektoren på din stereo-/surround sound-(for-)forstærker. Tilslut "R/LFE" input- konnektoren (rød) til RIGHT RCA line output-konnektoren til din stereo-/surround sound-(for-)for-stærker.
LFE input: (MODE selector er indstillet til LFE) tilslut "R/LFE" input-konnektor (rød) til LFE RCA line output på din stereo-/surround sound-forstærker.
- G) POWER-knappen: sæt knappen på ON for at slå strømmen til subwooferen. Sæt knappen på OFF for at slå strømmen fra subwooferen.
- H) VOLTAGE selector: indstil VOLTAGE selector, så den passer til spændingen på din strømforsyning.

ADVARSEL: hvis VOLTAGE selector ikke er korrekt indstillet, er der risiko for, at subwooferens elektroniske dele bliver beskadiget, når subwooferen tilsluttes strømforsyningen.

- I) FUSE-rum: hvis strømmen til subwooferen ikke bliver slået til, når strømforsyningen er tilsluttet, og POWER-knappen står på ON, kan sikringen være gået. Udskift sikringen med en af samme type som den medfølgende – se sikringstype på forstærkerens bagplade. Hvis sikringen bliver ved med at gå, skal du sørge for at få subwooferen efterset på et autoriseret servicecenter – kontakt din forhandler for nærmere oplysninger. Kontrollér, at der er valgt korrekt spænding.
- J) MAINS-konnektor: tilslut det medfølgende strømkabel til MAINS-konnektoren og vægkontakten.
ADVARSEL: SØRG FOR, AT VOLTAGE SELECTOR ER INDSTILLET TIL KORREKT SPÆNDING INDEN TILSLUTNING.
- K) POWER MODE omskifter med tre indstillinger: ON: Subwooferen tændes/slukkes med POWER knappen. AUTO: Når POWER er tændt, tænder forstærkeren automatisk når signal detekteres på en indgang. Efter ca 10 min. uden signal, går forstærkeren automatisk i standby-mode. OFF: Subwooferen slukkes.

11.0 TEKNISKE SPECIFIKATIONER

I tabel 2 finder du de mest almindelige specifikationer for vores subwoofere. Husk, at der findes utallige måder til bedømmelse af subwoofere, men ingen af dem fortæller noget om, hvordan en subwoofer egentlig lyder. Det er kun dine ører, der afgør, om én højttaler lyder bedre end en anden. Ligesom alle vores andre højttalere er DALI FAZON SUB 1 designet til at gengive musik så ærligt som muligt.

God fornøjelse med dine nye DALI FAZON SUB 1 subwoofer!